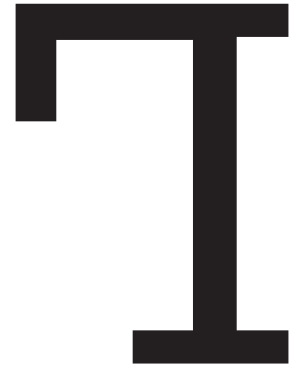
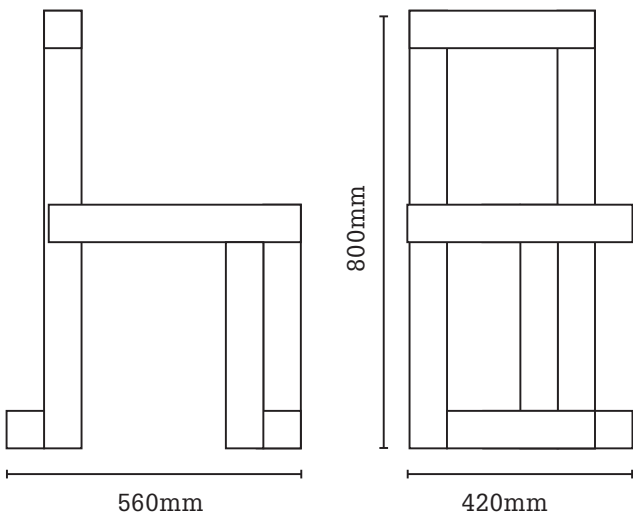


LOWRY

LONDON



Sapele Brut Occasional Chair



OCCASIONAL CHAIR

Sapele, Oil Varnish Blend, Bee Carnauba Blend

L 560mm x W 420mm x H 800mm

Edition of 8, £2800 (ex. VAT)

'Beton Brut' = 'Raw Concrete' = the idea that materials are used in their unfinished or raw state. Sapele wood is often considered to be of secondary grade and is so used in joinery and not furniture. Drawing from the principles of Brutalism I used Sapele wood in it's unpainted, unstained state as a proudly 'inferior' wood. I used ideas of abstraction to deconstruct the traditional 'chair' to it's necessary parts and in-so-doing produced a chair that has only three parts – a back, a front, and a seat.

lowrylondon.com

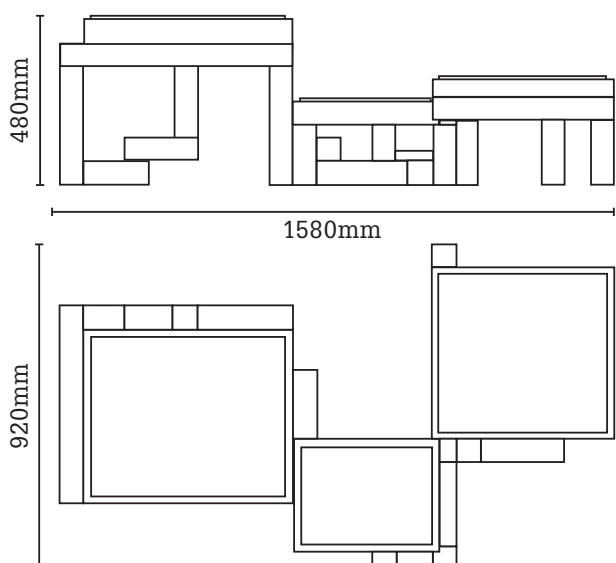
richard@lowrylondon.com

+44 (0)7826 949 598

LOWRY
LONDON



Sapele Brut Coffee Table



COFFEE TABLE

Sapele, Concrete, Oil Varnish Blend,
Bee Carnauba Blend

L 1580mm x W 920mm x H 480mm

Edition of 8, £4200 (ex. VAT)

This piece explores the concept of why a table generally has one surface on one plane. The layout of the three levels is scaled to the footprint of London's brutalist Barbican complex. The table plays with ideas of deconstruction and interaction in that the user can change the format of the three sections as little or as much as they like. The sections also 'nest' inside one and other.

lowrylondon.com

richard@lowrylondon.com

+44 (0)7826 949 598