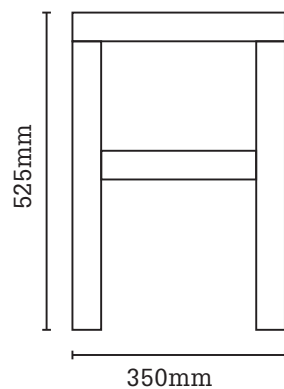
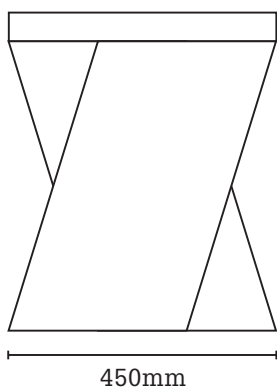


## Slant Table



### SIDE TABLE

Black Walnut, Maple, Oil Varnish Blend, Bee Carnauba Wax Blend

L 450mm x W 350mm x H 525mm

Edition of 10, £1800 (ex. VAT)

Constructed from Black American Walnut and Maple the Slant pieces highlight the different surfaces and angles within each piece. I wanted to avoid the use of conventional components (such as 'legs') and explore new ways to produce the required function (i.e. sitting or providing a surface for something).

[lowrylondon.com](http://lowrylondon.com)

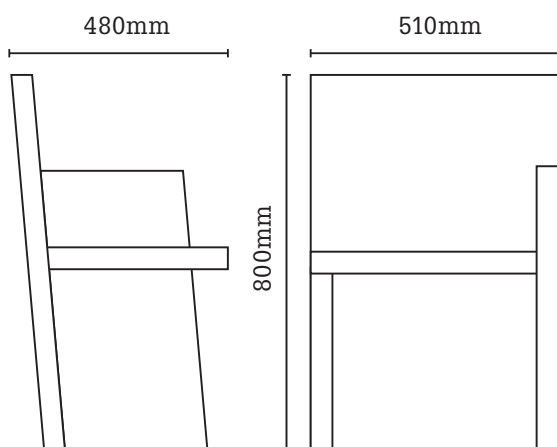
[richard@lowrylondon.com](mailto:richard@lowrylondon.com)

+44 (0)7826 949 598

LOWRY  
LONDON



## Slant Chair



### OCCASIONAL CHAIR

Black Walnut, Maple, Oil Varnish Blend, Bee Carnauba Wax Blend

L 480mm x W 510mm x H 800mm

Edition of 8, £2800 (ex. VAT)

Constructed from Black American Walnut and Maple the Slant pieces highlight the different surfaces and angles within each piece. I wanted to avoid the use of conventional components (such as 'legs') and explore new ways to produce the required function (i.e. sitting or providing a surface for something).

[lowrylondon.com](http://lowrylondon.com)

[richard@lowrylondon.com](mailto:richard@lowrylondon.com)

+44 (0)7826 949 598