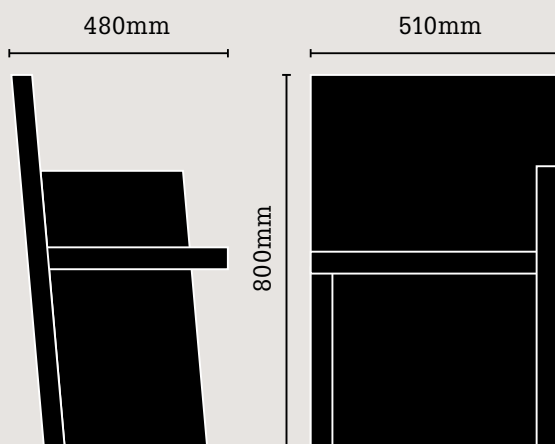


## Slant Chair



### OCCASIONAL CHAIR

Black Walnut, Maple, Oil Varnish Blend, Bee Carnauba Wax Blend

L 480mm x W 510mm x H 800mm

Constructed from Black American Walnut and Maple the Slant pieces highlight the different surfaces and angles within each piece. I wanted to avoid the use of conventional components (such as 'legs') and explore new ways to produce the required function (i.e. sitting or providing a surface for something).